



# MODEL: P20-20-UC

## 125 lb. High Efficiency Gas Fryer with UltraClear Filtration

### Standard Features:

- High efficiency Par-2 heat exchanger
- UltraClear filtration system
- Easy access filter pump pack
- Dial thermostat behind door
- Automatic melt cycle
- Stainless steel vats, cabinet and frame
- Pilotless electronic ignition
- Heavy duty 4-inch casters with front locking brakes
- 2 baskets per vat
- Fast Flow filter envelope
- Marine edge drain board



### Options and Accessories:

- 2 product Ultrastat cooking computer
- 10 product Ultrastat cooking computer
- Vat covers
- Splash guards
- Basket lifts
- Triple baskets
- Dump station
- Fast Flow filter pads
- Triple filtration
- Stainless steel filter screen
- Drain valve for filter tub
- Boil out hose
- Shortening disposal line
- 48" gas quick disconnect

Project \_\_\_\_\_  
Item \_\_\_\_\_  
Quality \_\_\_\_\_  
Approval \_\_\_\_\_  
Date \_\_\_\_\_

## Specifications

*Designed to meet high production frying needs with low energy cost*

The Ultrafryer® Systems P20-20-UC is a battery of three to six fryers designed to meet high volume frying needs while providing the maximum in fuel savings. The Ultrafryer® P20-20-UC fast recovery shortens cooking time, allows for large loads during batch cooking, and reduces shortening absorption. Dial thermostat controls, pilot-less electronic ignition, and melt cycle are standard features on every fryer, ensuring accurate temperature control and limiting temperature excursions, producing a perfectly cooked product while maintaining shortening quality. The Phased Array Heat Exchanger provides a large surface area and extended path of travel for the combustible gases, ensuring fast recovery, uniform heat distribution, and low exhaust temperatures of 550°F or less.

The P20-20-UC vats, cabinet and carriage frame are fabricated from high quality stainless steel to ensure a long service life.

The P20-20-UC is equipped with the UltraClear filter system to increase shortening life while retaining quality. The filter system, which fits under the fryer, features an oversized drain and drain trough to allow quick drainage and eliminate clogging. The large drain handles make draining the vats simple and convenient. The Fast Flow filter envelope removes sediment and impurities created in the frying process.

The P20-20-UC has a shortening capacity of 125 lbs. (63.7 liters). The cooking zone is 20" x 20" (508 mm x 508 mm). The P20-20-UC is rated at 75,000 BTU/hr.



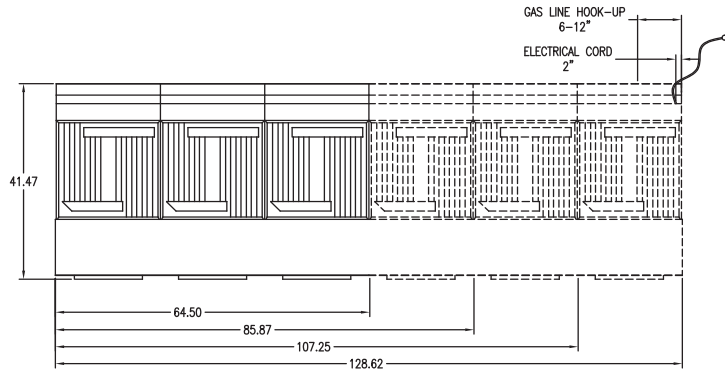
[www.ultrafryer.com](http://www.ultrafryer.com)

Ultrafryer® Systems, Inc. • 302 Spencer Lane • San Antonio, TX 78201 • (800)545-9189 • (210)731-5000 • FAX (210)731-5099

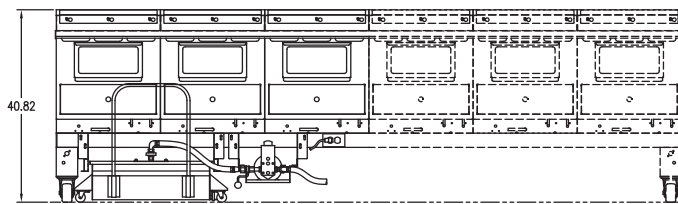


# MODEL: P20-20-UC

## 125 lb. High Efficiency Gas Fryer with UltraClear Filtration



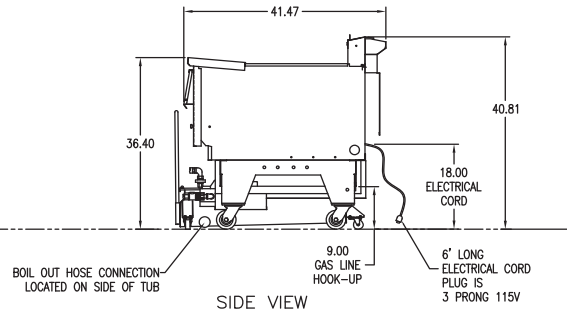
TOP VIEW



FRONT VIEW



**Patented PAR2  
Gas heat exchanger  
w/ vortex boxes**



SIDE VIEW

Sales ID#	Shortening Capacity	Overall Size			Net Weight	Shipping Info
		Height	Depth	Width		
B-P20-20-3-UC	125 lbs. per vat (63.7 liters)	40.82" (1037mm)	41.47" (1053mm)	64.50" (1638mm)	810 lbs (368.2 kg)	F.O.B. Factory San Antonio, Texas
B-P20-20-4-UC	125 lbs. per vat (63.7 liters)	40.82" (1037mm)	41.47" (1053mm)	85.87" (2181mm)	987 lbs (448.6 kg)	F.O.B. Factory San Antonio, Texas
B-P20-20-5-UC	125 lbs. per vat (63.7 liters)	40.82" (1037mm)	41.47" (1053mm)	107.25" (2724mm)	1,267 lbs (575.9 kg)	F.O.B. Factory San Antonio, Texas
B-P20-20-6-UC	125 lbs. per vat (63.7 liters)	40.82" (1037mm)	41.47" (1053mm)	128.62" (3267mm)	1,400 lbs (636.4 kg)	F.O.B. Factory San Antonio, Texas

\*UltraClear Filtration not available in 2 vat battery.

### ELECTRICAL REQUIREMENTS FOR OPERATING SYSTEM:

120 V, 60 HZ, 1 phase, 8.5 amps.

Electrical cord is 6' long and located on RH side in rear.

### GAS REQUIRED AT FRYER MANIFOLD:

7" water column natural gas

14" water column propane/butane

3/4" Gas Line connection required for 3 vat

1" Gas Line connection required for 4 vats

1 1/4" Gas Line connection required for 5-6 vats

### PERFORMANCE SPECIFICATIONS:

Determined in accordance with ASTM F2144 Standard Test Method for the performance of large open vat fryers:

**Nominal Vat Size:** 20" (508mm x 508mm)

**Energy Input Rating:** 75,000 BTU/hr (116 megajoules)

**Shortening Capacity:** 125 lbs. (63.7 liters)

Due to continuing engineering development and improvements, specifications are subject to change without notice. © February 22, 2017 Rev A Ultrafryer® Systems, Inc.

[www.ultrafryer.com](http://www.ultrafryer.com)

Ultrafryer® Systems, Inc. • 302 Spencer Lane • San Antonio, TX 78201 • (800)545-9189 • (210)731-5000 • FAX (210)731-5099