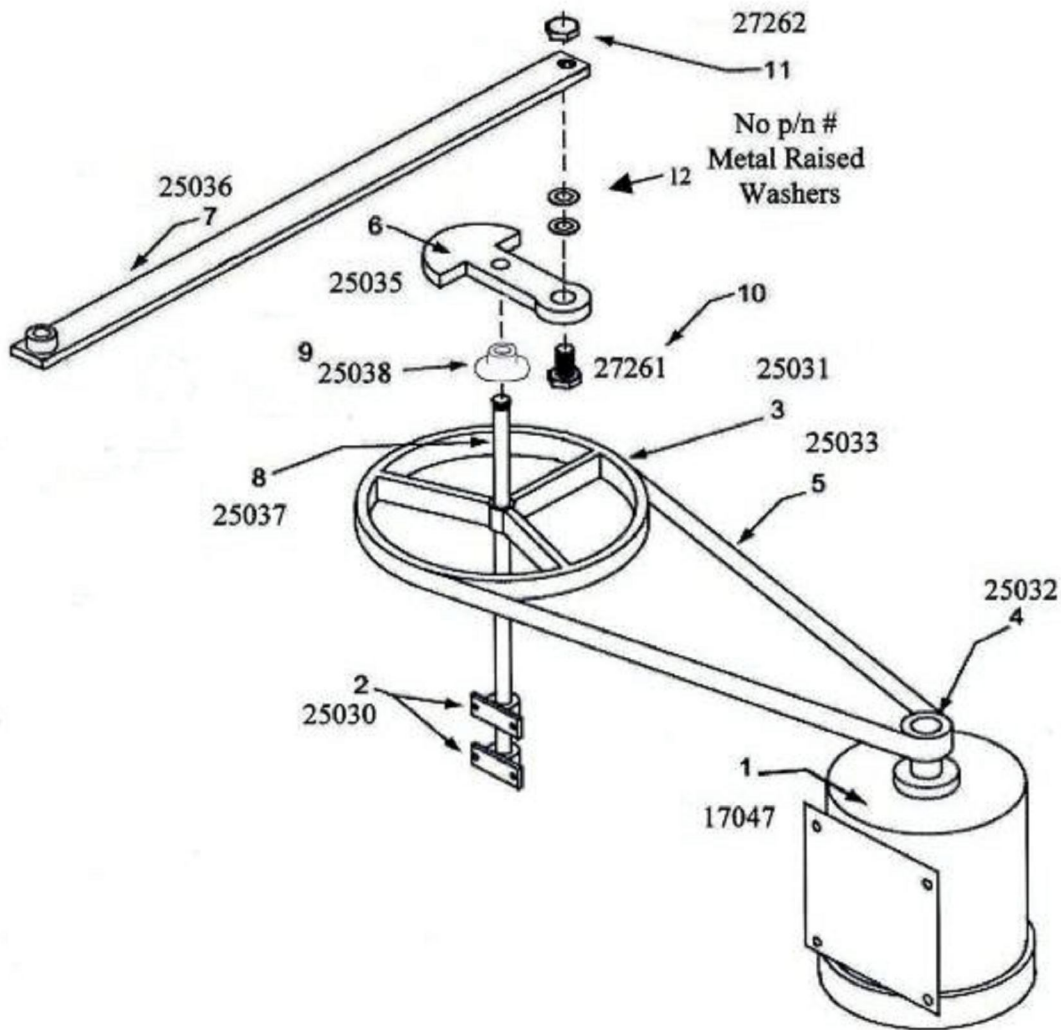


Batter Cart, Motor Diagram



SIFTER MECHANISM ASSEMBLY COMPONENTS		
ITEM	DESCRIPTION	PN
1	115 Volt 1 Ø 60 Hz ¼ HP 1725 RPM Dayton No. SK260C Sifter Motor	17-047
2	Pillow Block No. UCP202-10	25.030
3	Large 8" (203mm) Diameter Pulley No. 3X796	25-031
4	Small 1¾" (45mm) Diameter Pulley 3X759	25-032
5	Type No. 4L340 "V" Belt	25-033
6	Sifter Actuator Bar Cam No. RM1=P01	25-035
7	Sifter Actuator Bar No. RM1-P03	25-036
8	Sifter Mechanism Shaft w/Truarc Ring No. RM1-P27	25-037
9	Rubber Shaft Seal No. RM1-P02	25-038
10	S/S Hex Head 12mm Di x 30mm Lg Bolt	27-261
11	S/S Hex Head 12mm Nut	27-262
12	10 ga S/S washer	None