



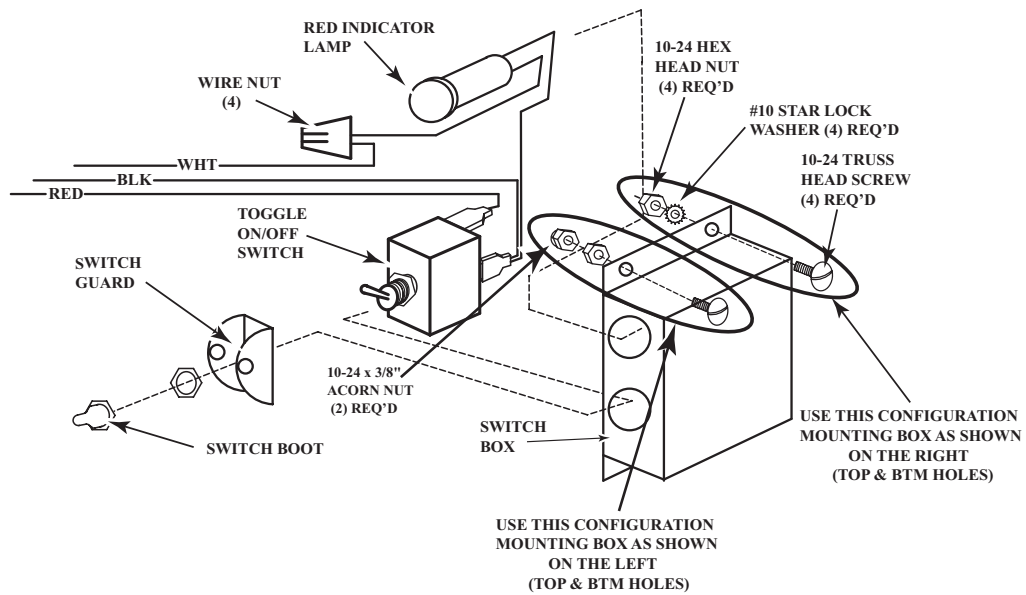
TIL NUMBER:
01-115

DATE:
JUNE 15, 2001

SUBJECT

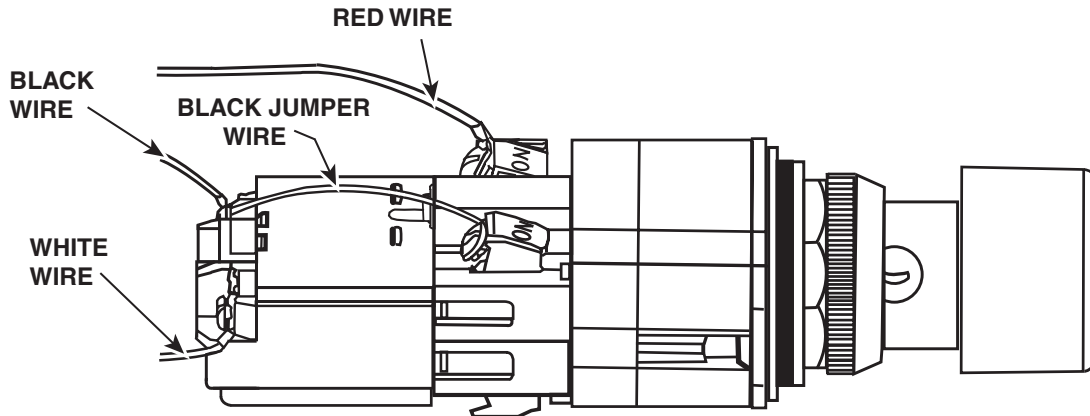
**BATTER / SIFTER CART
BATTER / SIFTER MOTOR ON/OFF SWITCH RETROFIT**

- I. PURPOSE :** Batter / Sifter Carts built AFTER July 2001 will be equipped with a more user friendly and readily available **TOGGLE ON/OFF SWITCH** and a **RED POWER INDICATOR LAMP** in lieu of the illuminated **SIFTER MOTOR ON/OFF SWITCH**. A Toggle ON/OFF Switch Assembly retrofit kit is now available that can be used to replace a defective Sifter Motor ON/OFF Switch on Batter / Sifter Carts presently in use. This Technical Information Letter (TIL) will provide a description of a Toggle ON/OFF Switch Assembly and step-by-step procedures to replace a defective Sifter Motor ON/OFF switch with a Toggle ON/OFF Switch Assembly Retrofit Kit.
- II. PRECAUTIONS:**
- A. This TIL is applicable to earlier models Batter Tables as well as current model Batter / Sifter Carts.
- B. **ENSURE** the Batter / Sifter Cart electrical plug is removed from the electrical receptacle **PRIOR** to installing a Toggle ON/OFF Switch Assembly Retrofit Kit.
- III. TOGGLE ON/OFF SWITCH ASSEMBLY DESCRIPTION:** The Toggle ON/OFF Assembly is housed in a stainless steel box 3" W x 3" H x 1" D containing: 1) a 125 Volt 15 Amp SPST Toggle Switch PN 18-204; 2) 125 Volt 3 watt snaplight with red lens PN 23-362; 3) an ON/OFF switch guard, PN 18-129; 4) a switch boot, PN 23-402; 5) three (3) 16 gauge stranded electrical wires 12 inches long with **BLACK, RED, and WHITE** insulation; 6) a 6" strip of **BLACK** neoprene grommet material to be placed around the switch mounting hole to protect the Toggle On/Off switch electrical wires; 7) four (4) wire nuts for use in connecting the Toggle ON/OFF switch assembly to the Batter / Sifter Cart electrical wiring; and 8) two (2) #10 star, lock washers; four (4) 10-24 S/S truss head screws; four (4) 10-24 s/s hex head nuts for securing the toggle ON/OFF switch assembly to the Batter / Sifter Cart; and two (2) 10-24 x 3/8 acorn nuts to cover the threads exposed to flour on the upper and lower left side mounting locations as shown in the diagram on the next page.



**TOGGLE ON/OFF SWITCH ASSEMBLY
PN 12A911**

IV. BATTER / SIFTER MOTOR ON/OFF SWITCH REMOVAL



**SIFTER MOTOR ON/OFF SWITCH
PN 18-221**

- A. Remove the Batter / Sifter Cart electrical plug from the electrical receptacle; then remove the Flour Pan and Sifter Basket Assembly.
- B. Remove the 6" x 9" cover plate from the sifter motor ON/OFF switch compartment by removing the four (4) 10-24 x 1/2" s/s truss head screws.
- C. Remove the defective sifter motor ON/OFF switch from the switch compartment by removing the watertight boot and locking ring; then remove the 1 3/8" hex mounting nut using channel lock/crescent pliers.

CAUTION : EXERCISE CARE !! DO NOT DAMAGE THE ELECTRICAL WIRES CONNECTED TO THE SWITCH TERMINALS.

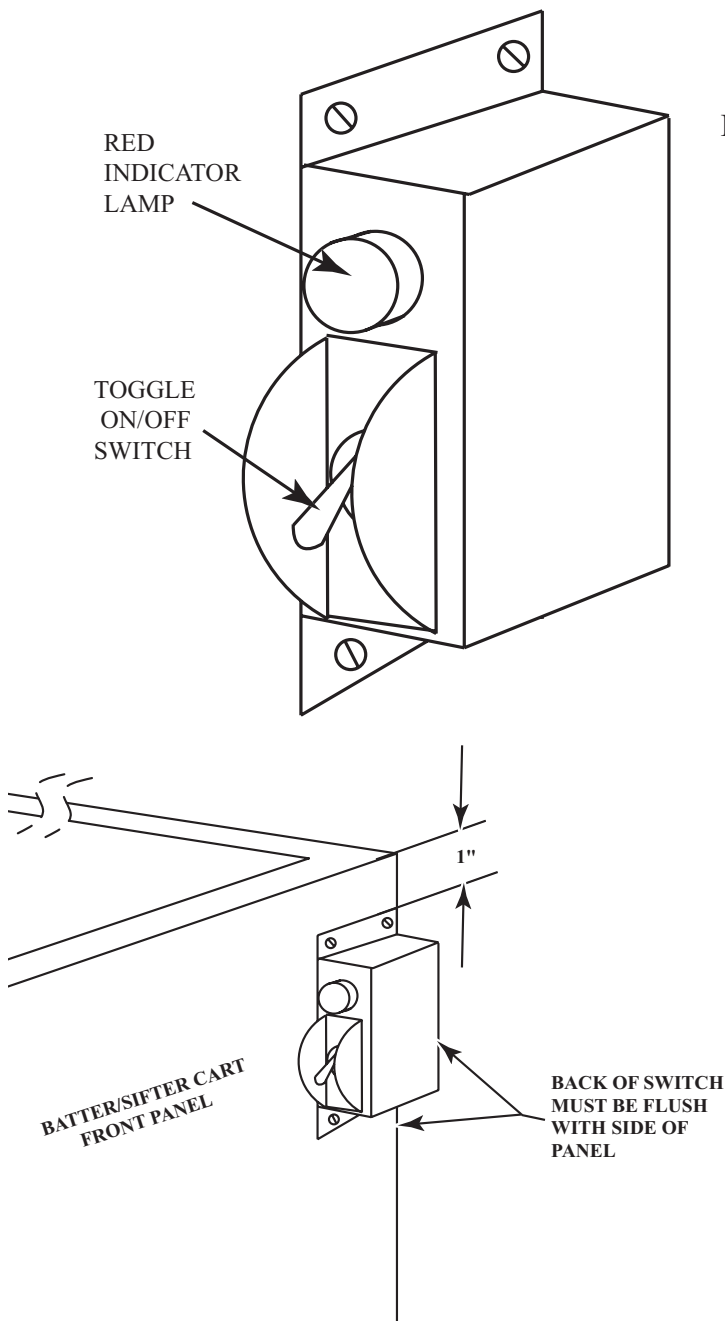
- D. **CAREFULLY** remove the two (2) **BLACK**, one (1) **RED**, and one (1) **WHITE** electrical wires from the defective switch; then discard the defective switch.
- E. Discard the short **BLACK** jumper wire, remove the electrical terminal from the other three (3) wires; then **CAREFULLY** remove $\frac{9}{16}$ " of insulation from the **BLACK, RED, and WHITE** wires.
- F. Remove any **DRY** silicone around the perimeter of the switch compartment and cover; then **THOROUGHLY** clean the area around the sifter motor ON/OFF switch mounting hole.

V. TOGGLE ON/OFF SWITCH ASSEMBLY INSTALLATION

- A. Separate the toggle ON/OFF switch assembly from the retrofit kit and place the $1\frac{3}{16}$ " insulator bushing, three (3) wire nuts and four (4) 10-24 truss head screws and hex nuts to one side for use later.

- B. **CAREFULLY** mount the toggle ON/OFF switch assembly on the front of the Batter / Sifter Cart as follows:

1. Cut the 6" strip of **BLACK** neoprene grommet material to $3\frac{3}{4}$ "; then **CAREFULLY** insert it around the $1\frac{3}{16}$ " dia. switch mounting hole.
2. Insert the three (3) electrical wires attached to the assembly through the $1\frac{3}{16}$ " switch mounting hole; then position the assembly switch box so it is **FLUSH** with the edge of the cart and one 1" down from the top edge of the cart as shown.
3. When the toggle ON/OFF switch assembly is properly positioned, mark location of the four (4) $\frac{3}{16}$ " mounting holes in the assembly on the Batter / Sifter Cart.
4. **CAREFULLY** remove the toggle ON/OFF switch assembly from the cart; then drill a $\frac{5}{16}$ " hole in the Batter / Sifter Cart at the locations marked above.
5. Feed the three (3) loose electrical wires attached to the assembly through the $1\frac{3}{16}$ " diameter hole in the upper right hand corner of the cart, place the assembly in position with the assembly aligned with the $\frac{5}{16}$ " diameter holes in the cart front panel; then the **SECURE** the assembly to the cart using the four (4) 10-24 truss head screws, two (2) #10 s/s star lock washers, four (4) 10-24 s/s hex head nuts provided in the retrofit kit, also place the two (2) 10-24 x $\frac{3}{8}$ acorn nuts over the left top and bottom mounting screws exposed to flour.



6. Remove $\frac{9}{16}$ " of insulation from the end of the three (3) electrical wires attached to the toggle ON/OFF switch assembly; then connect these wires to the Batter / Sifter Cart electrical wires, as shown below and **SECURE** these connections using the wire nuts provided in the retrofit kit.

| <u>BATTER / SIFTER CART WIRE</u> | <u>TOGGLE ON/OFF SWITCH ASSEMBLY WIRE</u> |
|----------------------------------|---|
| BLACK | BLACK |
| RED | RED |
| WHITE | WHITE |

7. Connect the Batter / Sifter Cart Electrical plug to the electrical receptacle and turn the Toggle ON/OFF switch to the **ON** position. The **RED** indicator lamp on the toggle ON/OFF switch assembly should **LIGHT** and the sifter mechanism should begin operating.

NOTE: The Flour Bin must be completely closed and the Bin Safety Switch engaged for the Batter / Sifter Cart to operate.

8. If the Batter / Sifter Carts operates as described above; turn the toggle ON/OFF switch to the **OFF** position, remove the electrical plug from the electrical receptacle and complete the retrofit as follows:
- Neatly secure the loose wires in the switch compartment with plastic cable ties.
 - Replace and secure the 6" x 9" cover plate on the switch compartment using the **rf** (4) 10-24 x $\frac{1}{2}$ " s/s truss head screws removed earlier.
 - Seal the perimeter of the switch compartment cover and Toggle ON/OFF switch assembly with silicone.
 - Ensure the shaft and bushing are clean and free of debris; then replace the Sifter Basket Assembly and Flour Pan.
 - Connect the Batter / Sifter Cart electrical plug to the electrical receptacle and again test operate the Batter / Sifter Cart.

NOTE: QUESTIONS TO THE CONTENTS OF THIS PUBLICATION SHOULD BE REFERRED TO THE CUSTOMER SERVICE DEPARTMENT AT 1-800-525-8130.