



Ultrafryer Systems, Inc.
ID-20x17
High Production Infrared Gas Fryer

Project _____
 Item _____
 Quality _____
 Approval _____
 Date _____



Standard Features:

- Ultrastat Computer Controller**
- Infrared Heat Exchanger**
- 100 lb Shortening Capacity**
- Stainless Steel Vat, Cabinet and Frame**
- Pilotless Electronic Ignition**
- Heavy Duty Casters with Front Locking Brakes**
- 3 Baskets**
- Drain Cleaning Rod and Vat Cleaning Brush**

Options and Accessories:

- Vat Joiner Strips to join 2 or more fryers**
- 3/4" x 48" Gas Quick Disconnect**

Specifications

Designed to meet high production frying needs with low energy cost

The Ultrafryer SYSTEMS ID-20x17 is a floor model fryer designed to meet high volume frying needs while providing the maximum in energy savings

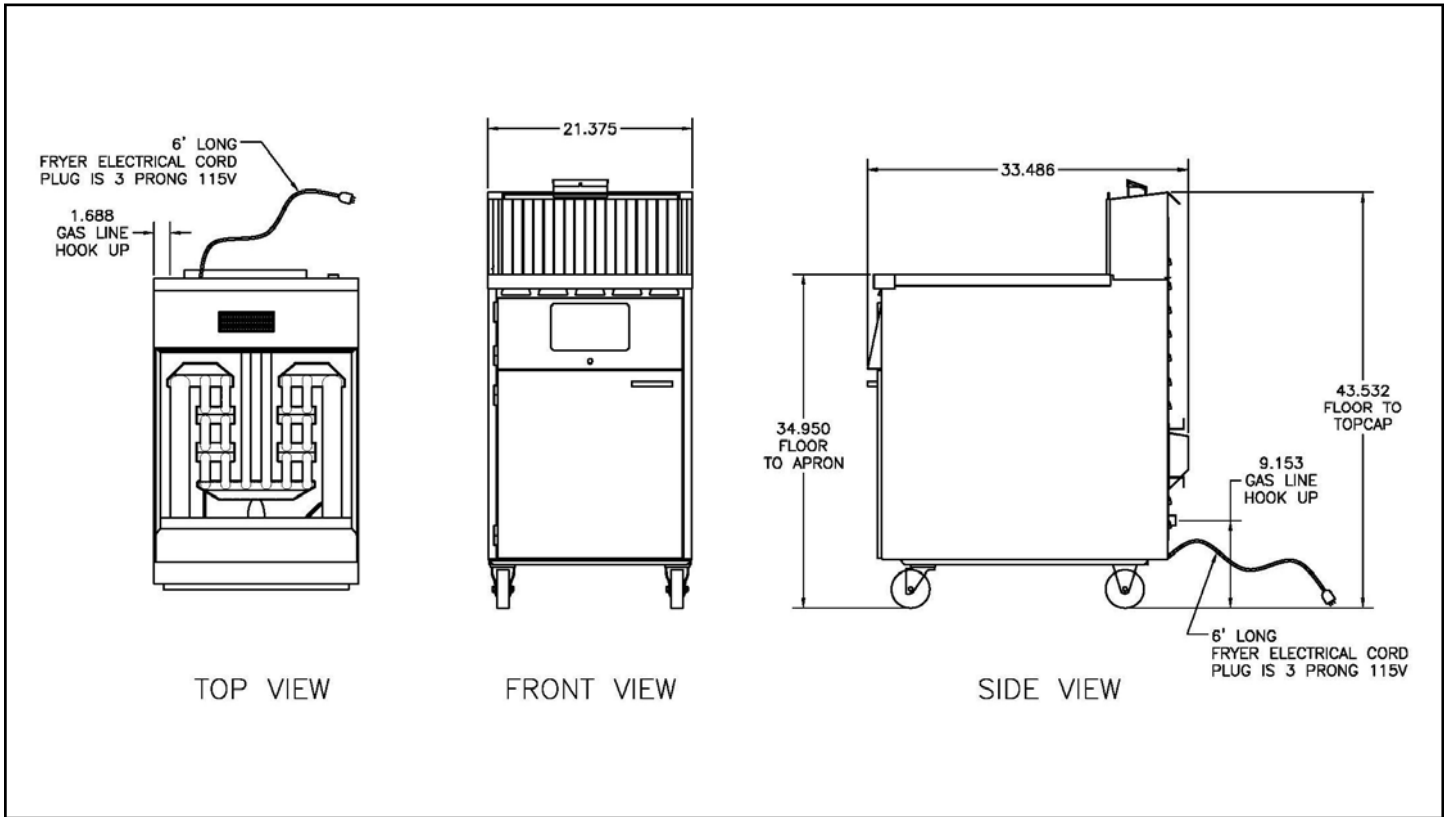
The ID-20x17 cabinet and door are fabricated from high quality stainless steel to ensure a long service life.

The ID-20x17 is equipped with a screw in front drain pipe for easy shortening filtration and/or disposal.

The ID-20x17 has a maximum shortening capacity of 100 lbs (45.4 liters). The cooking zone is 20 x 17.375 (508mm x 441mm)with shakezone.

The ID-20x17 is rated 150,000 BTU/h

ID-20X17
100 lb.
Infrared Gas Fryer



Sales ID#	Shortening Capacity	Overall Size			Drain Height	Net Weight	Shipping info.
		Height	Depth	Width			
F-ID-20x17	100 lbs (45.4 liters)	34.95" (888mm)	33.49" (850mm)	21.375" (543mm)	18" (458mm)	412 lbs (186.9 kgs)	F.O.B Factory San Antonio, Texas

ELECTRICAL AND GAS REQUIREMENTS FOR OPERATING SYSTEM

120 V, 60 HZ, 1 phase, 36 AMPS

GAS INLET PRESSURE TO FRYER REQUIRED:

7" water column natural gas

11" water column propane

PERFORMANCE SPECIFICATIONS

Determined in accordance with ASTM F 2144-09 Standard Test Method for the performance of open deep fat fryers.

Nominal Vat Size : 20 x 17.375

Energy Input Rating : 150,000 BTU's

Shortening Capacity : 100 lbs

Due to continuing engineering development and improvements, specifications are subject to change without notice

© June 20, 2016 Ultrafryer Systems, Inc