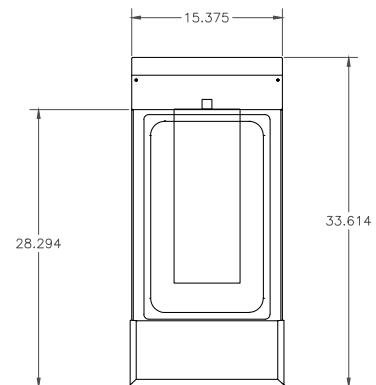
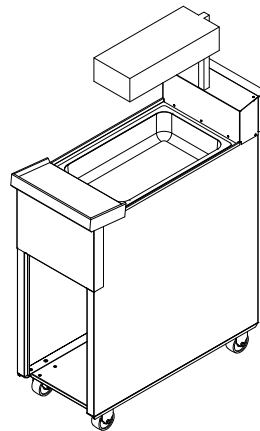
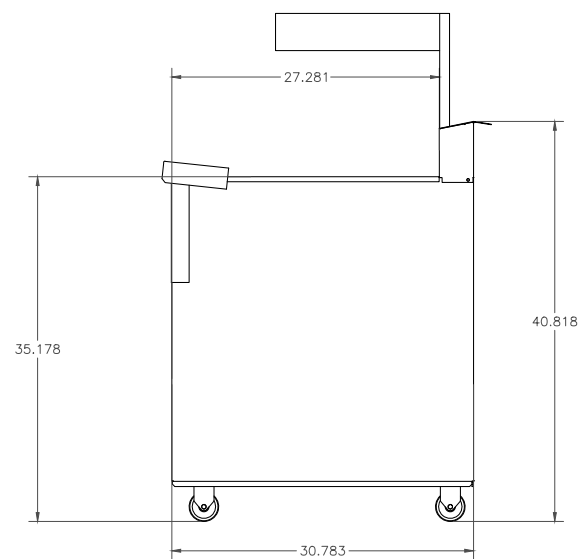
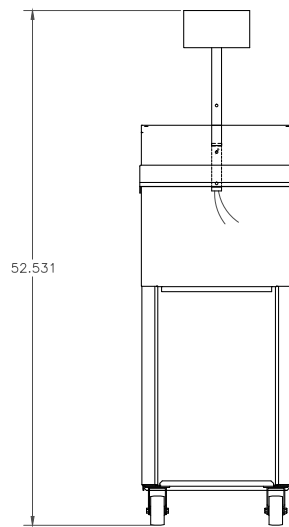


14" Freestanding Dump Station

Model: 11D911

The Ultrafryer 14" freestanding dump station is designed to hold fried food to maintain a crispy exterior and moist interior. The open top construction makes transfer of product from the fryer efficient and serving of product fast and easy.

Features include an all stainless steel cabinet with cutout for dump pan and perforated insert. The cafeteria full size pan is easily removable for cleaning.



Sales ID#	Overall Size (H x D x W)	Crated Weight	Uncrated Weight	Shipping Info
11D911	52.53" x 33.61" x 15.375" (1,334 x 854 x 391 mm)	138 lb (62.6 kg)	110 lb (50 kg)	F.O.B. Factory San Antonio, TX

OPTIONS

Heat lamp, 115 volts 15 amp & has an electrical plug; NEMA 5-15P

© 2017 Ultrafryer Systems, Inc. Due to continuing engineering development and improvements, specifications are subject to change without notice.

Revision date: 7.22.2019

Ultrafryer®